

## Open Rack

Techlogiks Open Rack has an available height ranging from 18U to 47U height. It has modular design, easily assemble, disassemble and has a maximum static loading of 150 kg. Optional accessories are available according to the requirement.



### Standards:

- *ANSI/EIA RS-310-D, DIN41491; PART1, IEC297-2,*
- *DIN41494; PART7, GB/T3047.2-92.*
- *Compatible with metric, ETSI and 19' international standard*

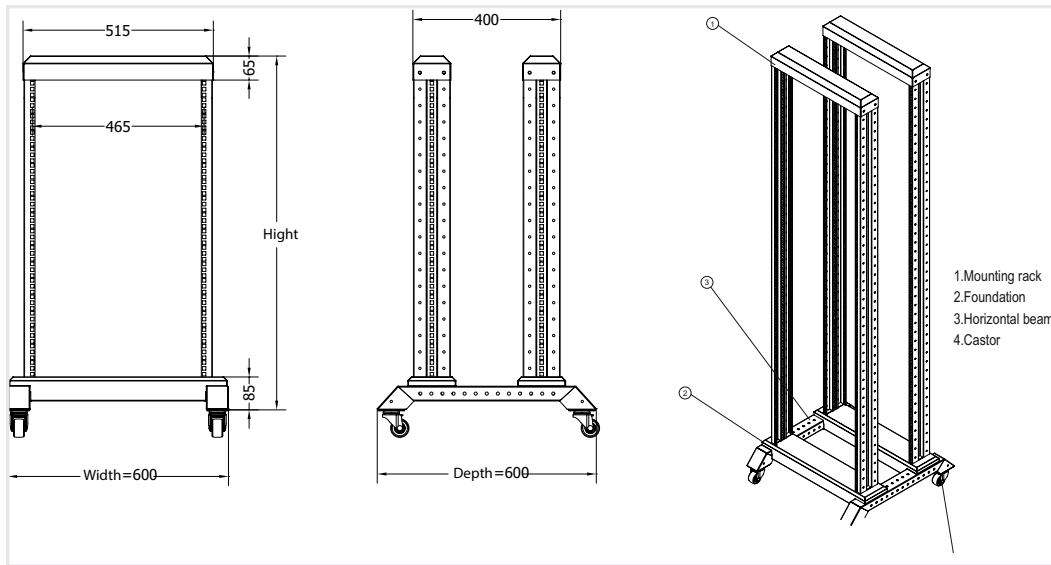
### Features & Benefits:

- *Modular design, easily assemble and disassembl for delivery, low cost.*
- *Various optional accessories according to requirements.*
- *Static load: 150kg.*
- *Lever of protection: IP20.*
- *Surface finish: Degreased, acid cleaned, phosphoric, water cleaned,electro-static powder coating,*
- *Meet ROHS standard.*
- *Optional color: black/gray.*

### Application:

- *Widely used in network system, educational system, broadcasting system and telecommunication system.*
- *Suitable for placing server computer and precision electronic equipment's.*

SI#	Specification	Quantity	Material
1	Mounting Rack	4	Powder coated 1.2mm cold rolled steel
2	Foundation	2	Powder coated 1.5mm cold rolled steel
3	Horizontal beam	2	Powder coated 1.5mm cold rolled steel
4	Castor	4	--
5	Screws &nuts	10	--
6	Wrench	1	--



### ORDERING INFORMATION

PART NUMBER	DESCRIPTION
TL-OR-1866	Techlogiks 18U 600x600 Free standing Open Racks
TL-OR-2266	Techlogiks 22U 600x600 Free standing Open Racks
TL-OR-2766	Techlogiks 27U 600x600 Free standing Open Racks
TL-OR-3266	Techlogiks 32U 600x600 Free standing Open Racks
TL-OR-3766	Techlogiks 37U 600x600 Free standing Open Racks
TL-OR-4266	Techlogiks 42U 600x600 Free standing Open Racks
TL-OR-4766	Techlogiks 47U 600x600 Free standing Open Racks